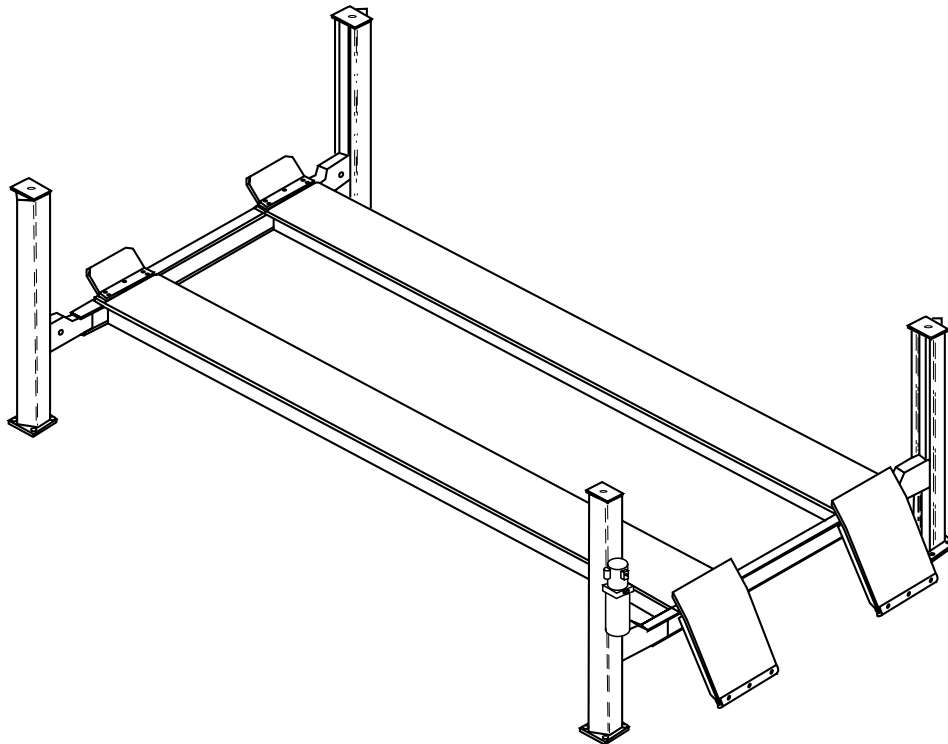




SM30/RFL25 Parts Breakdown

SM30 Capacity 30,000 lbs. (15,000 lbs. per axle)
235"/271"/308" Wheelbases
140" Minimum Wheelbase
RFL25 Capacity 25,000 lbs. (12,500 lbs. per axle)
163" Minimum Wheelbase



P
A
R
T
S

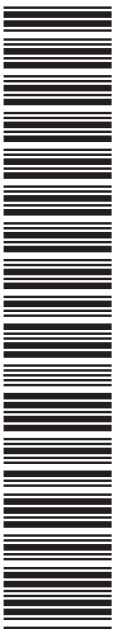
B
R
E
A
K
D
O
W
N

IMPORTANT: When ordering parts or requesting service always give exact model and power unit serial number. Model number is shown on nameplate attached to latch release valve. Power unit serial number is located on side of power unit.

OWNERS RECORD
Complete information at right and keep in a safe place.

Date Installed _____
 Installed in Bay # _____
 Power Unit Serial # _____
 Power Unit Model # _____
 Lift Serial # _____
 Lift Model # _____

NOTE: For replacement parts -See your nearest Rotary Parts Distributor.



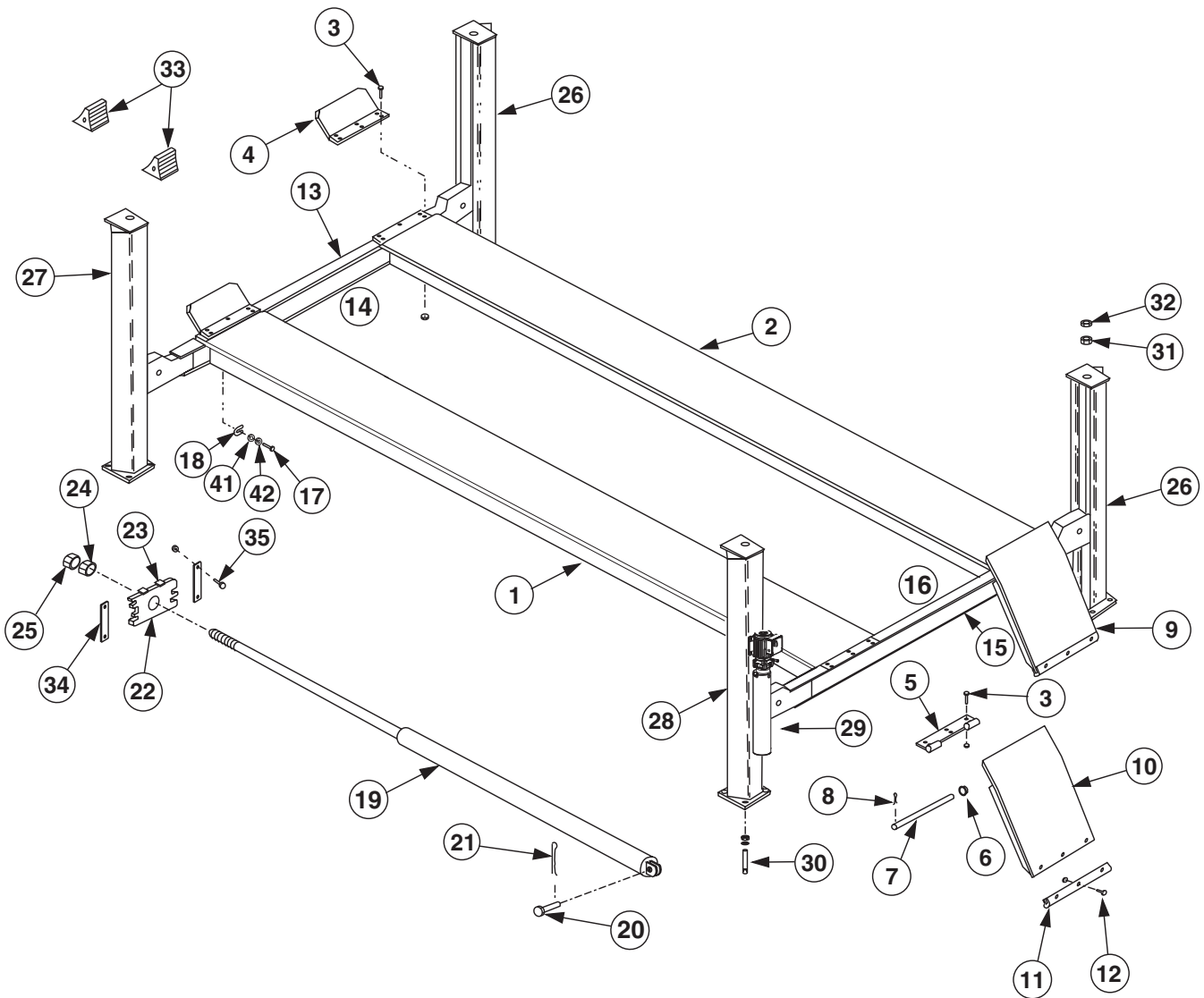
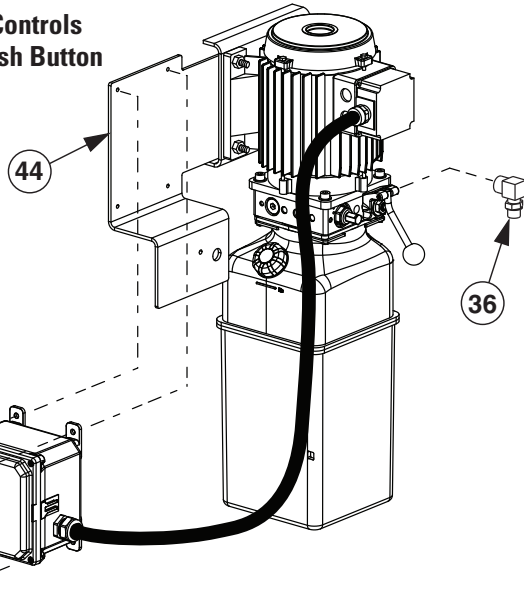
PB2-3-12-4
Rev. M 11/11/2022

**3Ø Controls
w/ Push Button**

40780
1/4" Flat Washer

40779
1/4" Star Washer

40062
1/4"-20NC x 1/2" HHCS



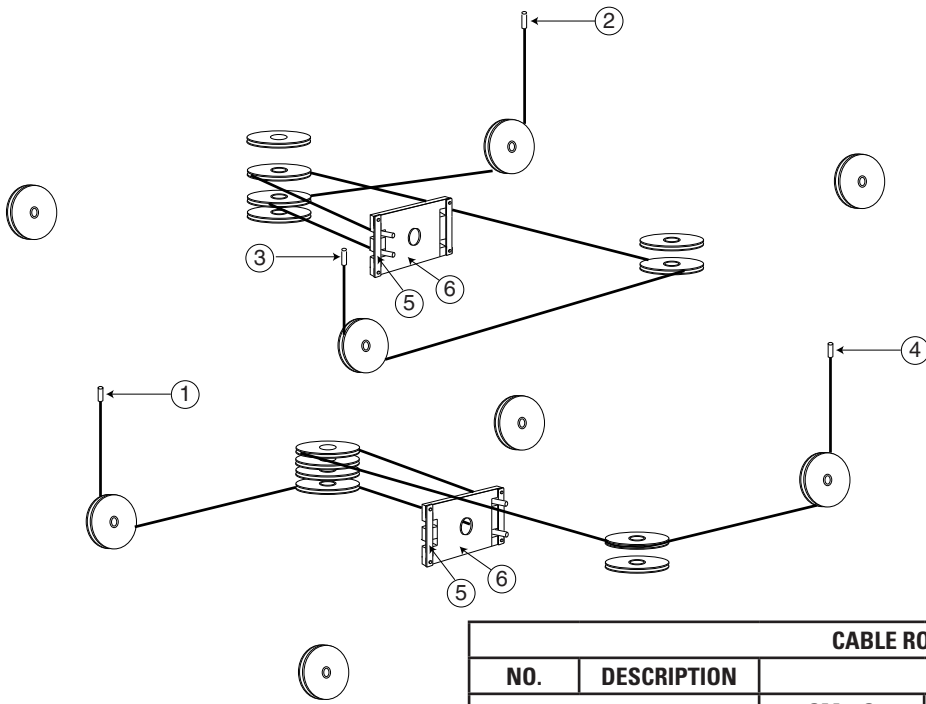
SM30/RFL25 COMPONENTS

Item No.	Description	Part No.			
		SM30S	SM30L	SM30EL	RFL25
1	Left Hand Runway Asm (Includes: cylinder; cables; sheaves)	S110363	S110362	S110361	*S110364
2	Right Hand Runway Asm	S110213	S110211	S110209	*S110215
3	5/8" -11NC x 2 1/2" HHCS (High Strength)	40344			
	5/8" -11NC McClean-Fogg Nut	40360			
4	Wheel Stop	FC5780-6			
5	Hinge Weld	FC5780-4			
6	5/8" Pushnut Fastener	FC5179-4			
7	Hinge Pin	FC5225-39			
8	5/32" x 1" Cotter Pin	41202			
9	Ramp/Chock Assembly	FC5780-3			*FC5781-7
10	Ramp/Chock Weldment	FC5225-36			*FC5254-14
11	Plastic Slide	FC134-33			
12	#10-24NC x 3/4" Lg. PNHDMS	40030			
	#10-24NC Hex Nut	40630			
13	Front Yoke Weld	S120819			*S120847
14	Front Yoke Assembly (Includes latches)	S110359			*S110365
15	Rear Yoke Weld	S120820			*S120848
16	Rear Yoke Assembly (Includes latches)	S110360			*S110366
17	3/4"-10NC x 2" Lg. HHCS (Grade 8 min.)	40426			
18	Plastic Shim	FJ716-6			
19	Hydraulic Cylinder	FC5761			
20	Clevis Pin	FC5225-23			
21	3/16" x 3" Cotter Pin	41253			
22	Cable Pull Bar	S110520			
23	Glide	S121263			
24	1 3/4" - 5NC Heavy Hex Nut	40777			
25	1 3/4" - 5NC Heavy Hex Jam Nut	40778			
26	Right Hand Column	FC5455-1			
27	Left Hand Column	FC5454-1			
28	Power Unit Column	FC5456			
29	1Ø Power Unit	**P1028/P3028			
	3Ø Power Unit	**P1082/P3082			
30	Anchor Bolt	FJ7386			
31	1 1/8"-7NC Hex Nut	40769			
32	1 1/8"-7NC Hex Jam Nut	40770			
33	Rear Wheel Chock	FC337			
34	Retainer Bar	FC5225-72			
35	1/4"-20NC x 2 1/2" Lg. HHCS and Lock Nut	4 Req'd.			
36	Elbow	P1028-4			
37	Adapter Plate	FA132-2			
38	5x.8x8mm FHMS	4 Req'd			
39	#8-32 NC x1/2"LG	4 Req'd			
40	Control Box 3 PH.	FA7163			
41	3/4" Flat Washer	40123			
42	3/4" Lock Washer	4100			
43	3Ø Control Box w/ Push Button	***FA9147			
44	3Ø Box Mounting Bracket	FA9155-1			

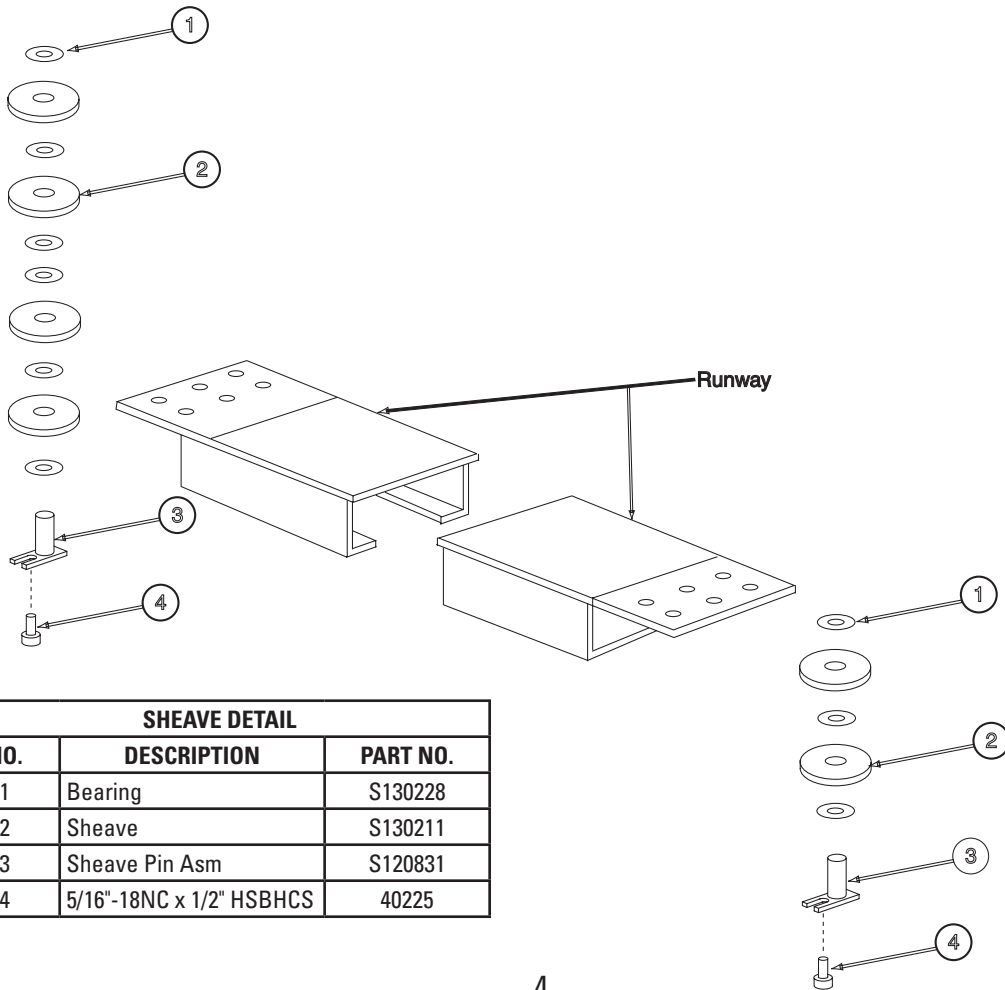
*Indicates RFL25 parts.

**Two different power units were used. Please verify your exact model number before ordering replacement parts.

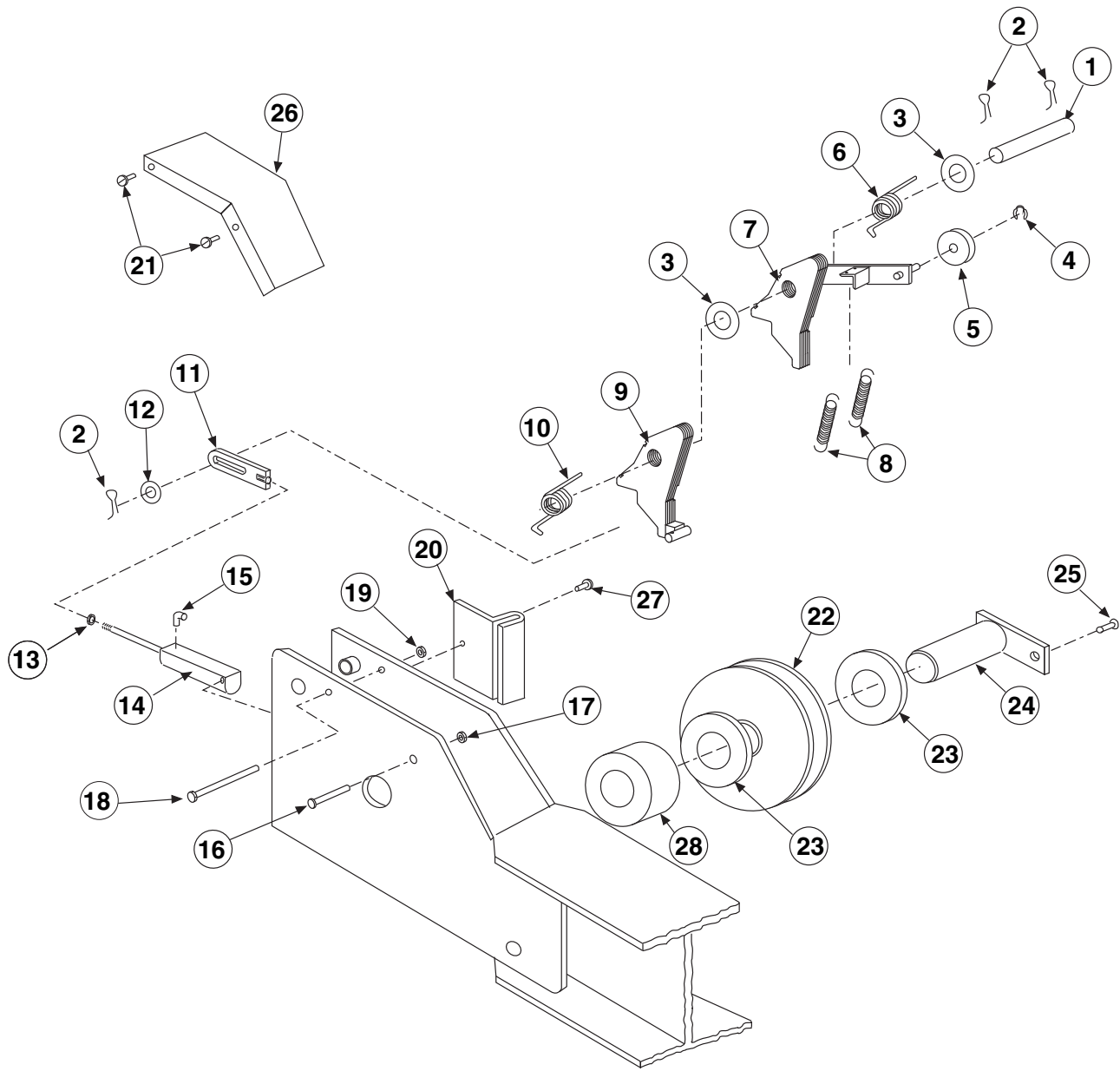
***FA7366 Drum Switch had also been used.



CABLE ROPING DETAIL					
NO.	DESCRIPTION	PART NO.			
		SM30S	SM30L	SM30EL	RFL25
1	Left Front Cable	S130214	S130218	S130222	S130224
2	Right Front Cable	S130215	S130219	S130223	S130225
3	Left Rear Cable	S130216	S130220	S130220	S130226
4	Right Rear Cable	S130217	S130221	S130221	S130227
5	Pull Bar Hold	FC5225-72			
6	Cable Pull bar	S110520			



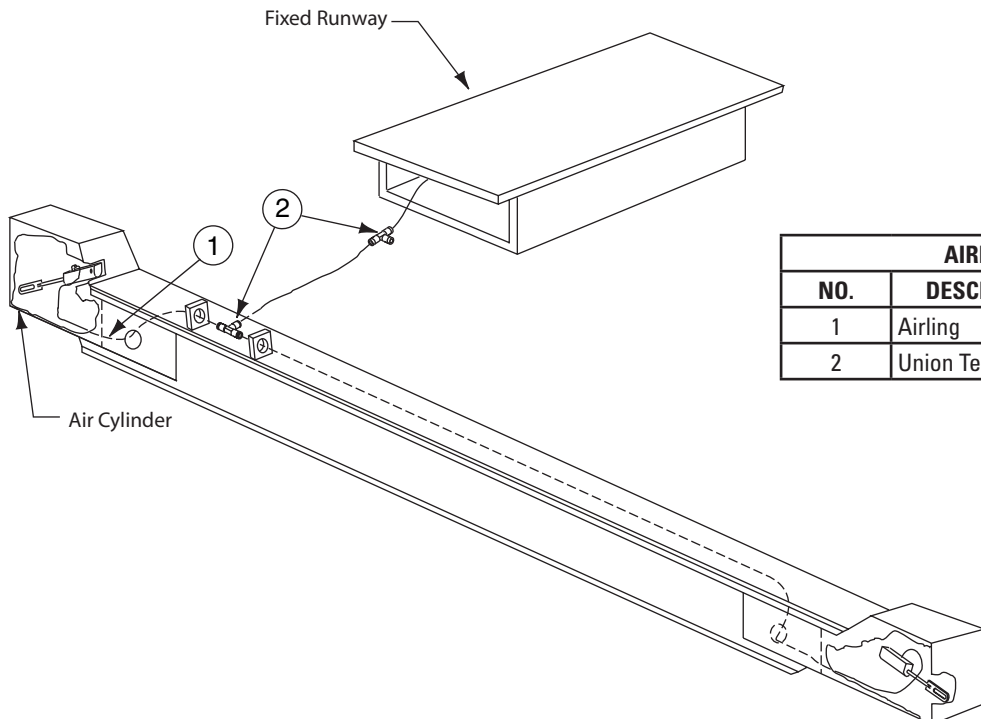
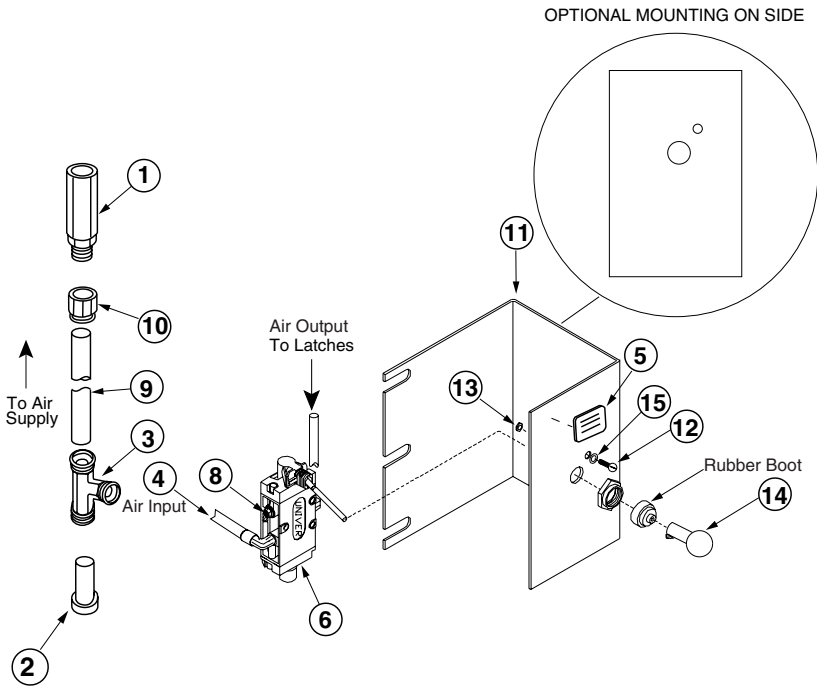
SHEAVE DETAIL		
NO.	DESCRIPTION	PART NO.
1	Bearing	S130228
2	Sheave	S130211
3	Sheave Pin Asm	S120831
4	5/16"-18NC x 1/2" HSBHCS	40225



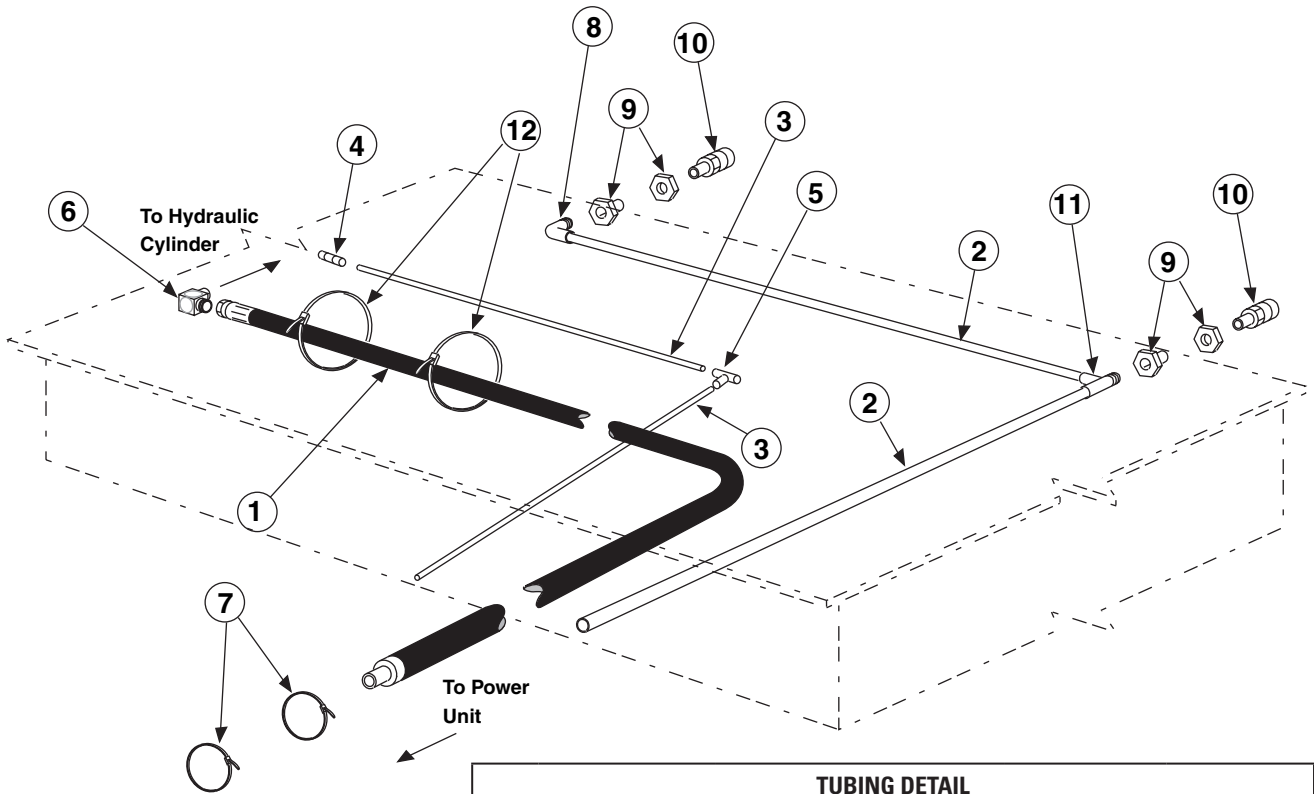
YOKE END DETAIL		
NO.	DESCRIPTION	PART NO.
1	Latch Shaft	S130235
2	1/8" x 1 1/4" Cotter Pin	41201
3	Bearing	FC5301-98
4	Klip Ring for 3/8" Shaft	41410
5	Slack Cable Roller	FC5224-65
6	Left Hand Torsion Spring	S120562
7	Slack Cable Locking Latch	LH FC5224-71 RH FC5224-70
8	Extension Spring	FC522-25
9	Locking Latch	LH FC5763 RH FC5762
10	Right Hand Torsion Spring	S120563
11	Slotted Bracket	FC5224-35
12	3/8" Cut Washer	40820
13	1/4"-28NF Hex Jam Nut	40622
14	Air Cylinder	FC5706-6

YOKE END DETAIL		
NO.	DESCRIPTION	PART NO.
15	Elbow	FC5224-39
16	1/4"-20NC x 1 1/2" Lg. Bolt	2 req'd
17	1/4"-20NC Nylon Insert Lock Nut	2 req'd
18	1/4"-20NC Hex CS x 4 1/2" Lg.	40116
19	1/4"-20NC Hex Jam Nut	40640
20	Plastic Slider	FC5301-97
21	Pinetree Retainer	S130347
22	Sheave	S130211
23	Bearing	S130229
24	Sheave Pin Asm	S120828
25	5/16"-18NC HSBHCS x 1/2" Lg.	40225
26	Yoke End Cover	FC5224-30
27	1/4"-20NC HHTS x 1/2" Lg.	40067
28	Sheave Spacer	S130210

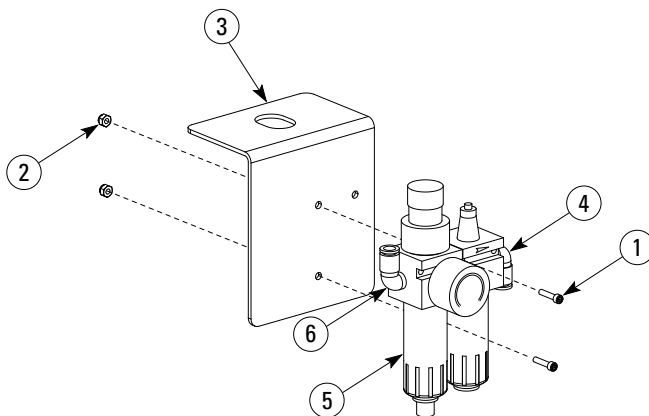
AIR LOCK RELEASE VALVE DETAIL		
NO.	DESCRIPTION	PART NO.
1	Valve	FA3134-12
2	3/8" Plug	FA2230-16
3	Union Tee	FA2242-1
4	1/4" Tubing (50' roll)	FA2230-2
5	Nameplate	NP280
6	Control Asm	T140073
7	Elbow	FC5341-90
8	Filter/Muffler	T140075
9	3/8" Tubing (40' roll)	FA2230-15
10	Female Connector	FA3134-13
11	Air Valve Bracket	S120457
12	#8-32NC x 1 1/2" Screw	40007
13	#8-32 Nut	40637
14	Handle	T140119
15	#8 Flat Washer	40788



AIRLINE DETAIL		
NO.	DESCRIPTION	PART NO.
1	Airtling	16075
2	Union Tee	FC5225-46



TUBING DETAIL					
NO.	DESCRIPTION	PART NO.			
		SM30S	SM30L	SM30EL	RFL25
1	Hose	FC5225-16	FC5426-4	FC5427-4	FC619
2	Long Runway Tube	16080	16080	16080	16080
3	Main Tube	FA2230-2			
4	Union	FC5225-98			
5	Union Tee	FC5225-46			
6	Elbow Adapter	FJ7224			
7	Cable Tie	FJ7108-5			
8	Male Elbow	FC147-7			
9	Connector	FC147-1			
10	Coupler	FC147-15			
11	Male Run Tee	FC147-3			
12	Wire Tie	FC5225-26			



FRL DETAIL		
NO.	DESCRIPTION	PART NO.
1	M4-12 Hex SHCS	41705
2	M4 Nylon Lock Nut	41558
3	Adapter Bracket	S120674
4	Elbow	FC147-7
5	Filter/Regulator/Lubricator	S130080
6	Elbow	FC147-7

Rotary World Headquarters

2700 Lanier Drive
Madison, IN 47250, USA
www.rotarylift.com

North America Contact Information

Tech. Support:

p 800.445.5438
f 800.578.5438
e userlink@rotarylift.com

Sales:

p 800.640.5438
f 800.578.5438
e userlink@rotarylift.com

World Wide Contact Information

World Headquarters/USA: 1.812.273.1622
Canada: 1.905.812.9920
European Headquarters/Germany: +49.771.9233.0
United Kingdom: +44.178.747.7711
Australasia: +60.3.7660.0285
Latin America / Caribbean: +54.3488.431.608
Middle East / Northern Africa: +49.771.9233.0

© Vehicle Service GroupSM

Printed in U.S.A., All Rights Reserved. Unless otherwise indicated, ROTARY, and all other trademarks are property of Dover Corporation and its affiliates.

